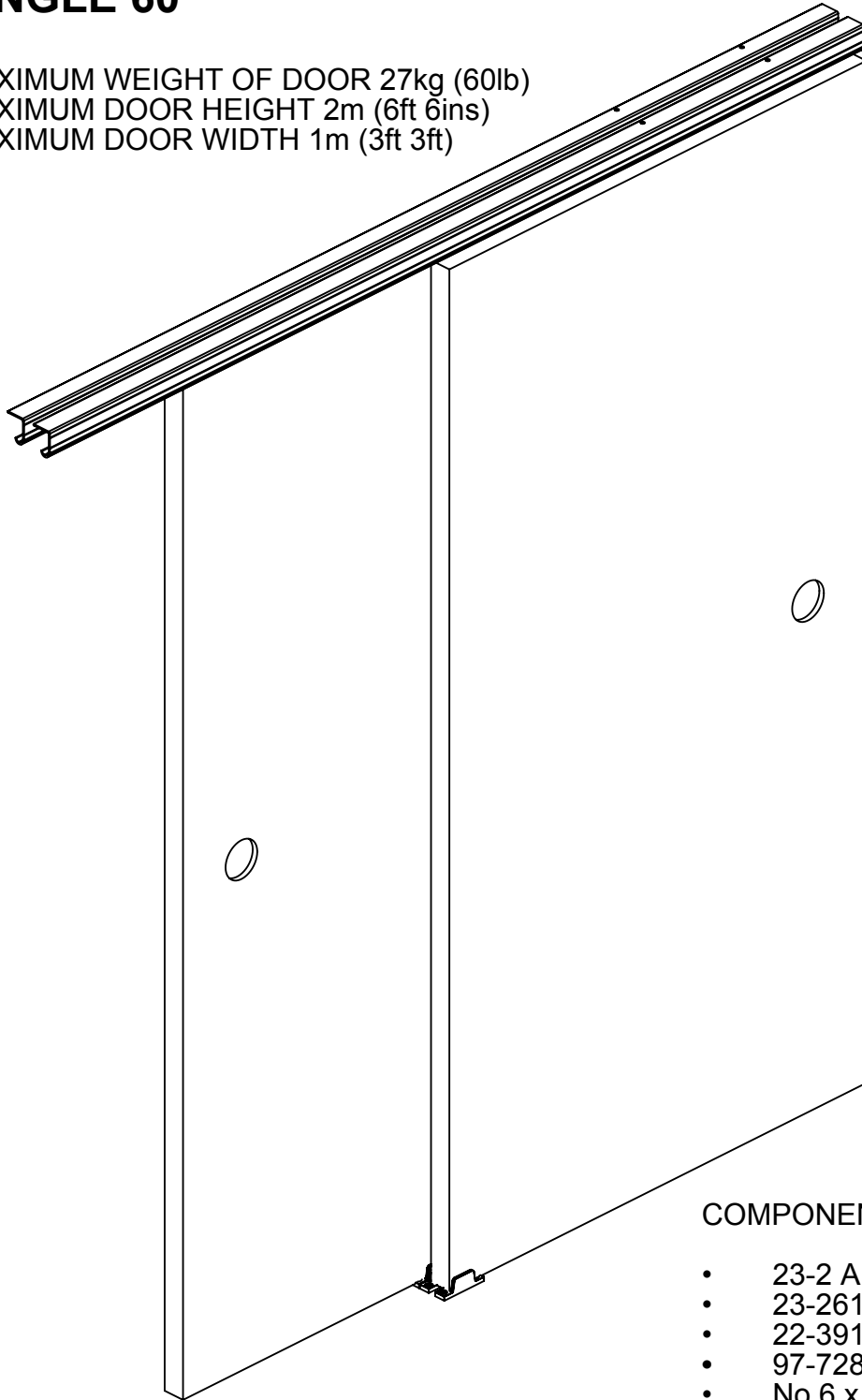


# INSTALLATION INSTRUCTIONS

## TWIN 60 SINGLE 60

MAXIMUM WEIGHT OF DOOR 27kg (60lb)  
MAXIMUM DOOR HEIGHT 2m (6ft 6ins)  
MAXIMUM DOOR WIDTH 1m (3ft 3ft)



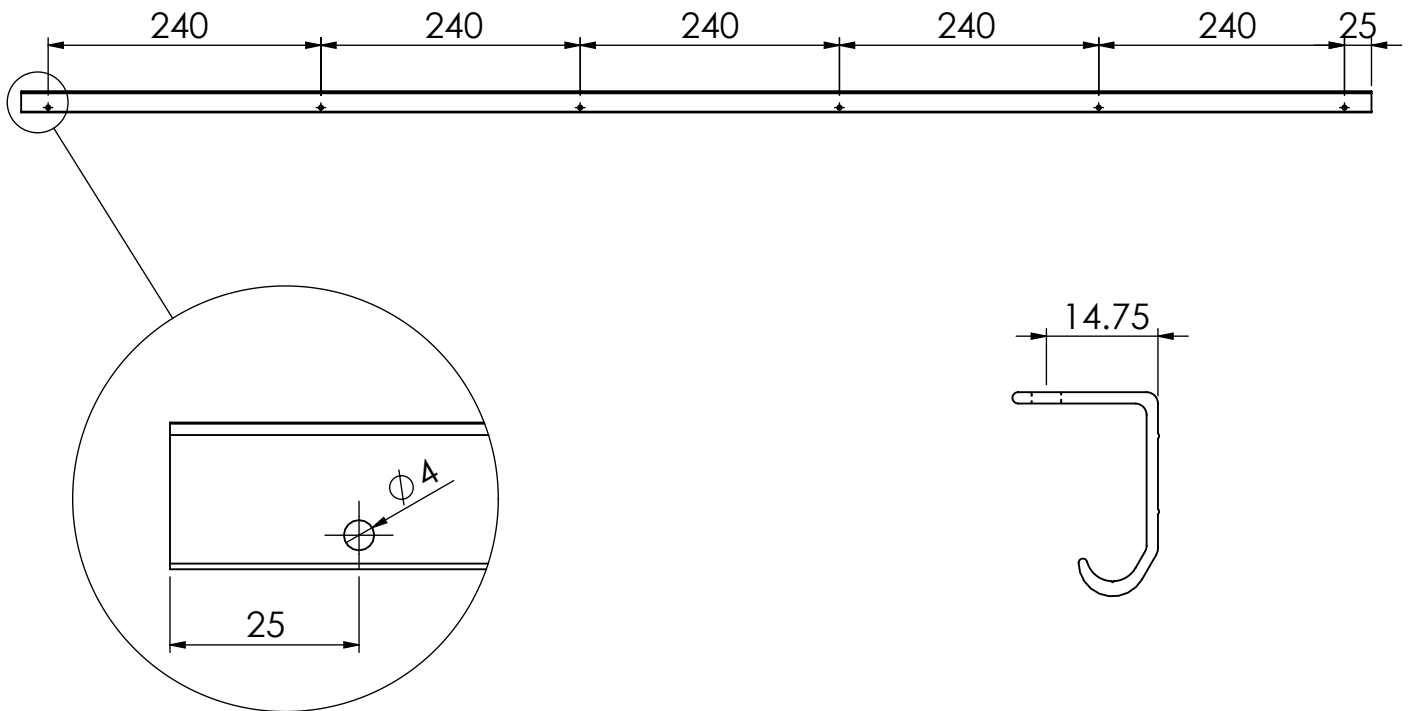
### COMPONENTS:

- 23-2 ALUMINIUM TRACK
- 23-261 HANGER
- 22-391 GUIDES
- 97-728 DOOR STOP (**TWIN 60 ONLY**)
- No.6 x 20(3/4") WOODSCREWS FOR TRACK
- No.6 x 16 (5/8") WOODSCREWS FOR HANGERS ETC

UNLESS OTHERWISE STATED, ALL DIMENSIONS ARE IN MILLIMETRES

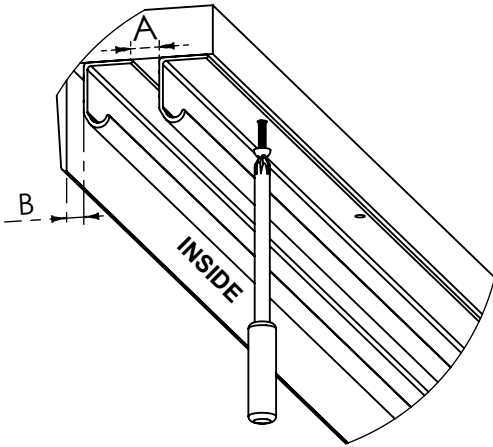
## TRACK HOLE PITCH CENTRES

Drill 4mm diameter holes maximum 240mm apart, along the top of the track as shown above. Also drill similar size holes 25mm from both edges of the track.



The number of holes will depend on the length of the track.

FIG.1



Cut track to required length and fix with No.6 x 20(3/4") wood screws to soffit/support allowing gaps (Dim. 'B') as shown in fig. 1  
For double or triple track setup, fix rear track leaving correct distance, Dim 'A' between tracks as shown in fig.1

Secure hangers to inside top edge of doors close to each side and top of door in line with points of curved sides. Use No.6 x 16 (5/8") woodscrews positioned at top of two slots, omitting centre screws at this stage. See fig.2

FIG.2

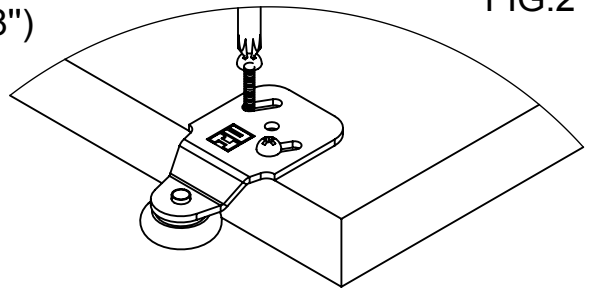
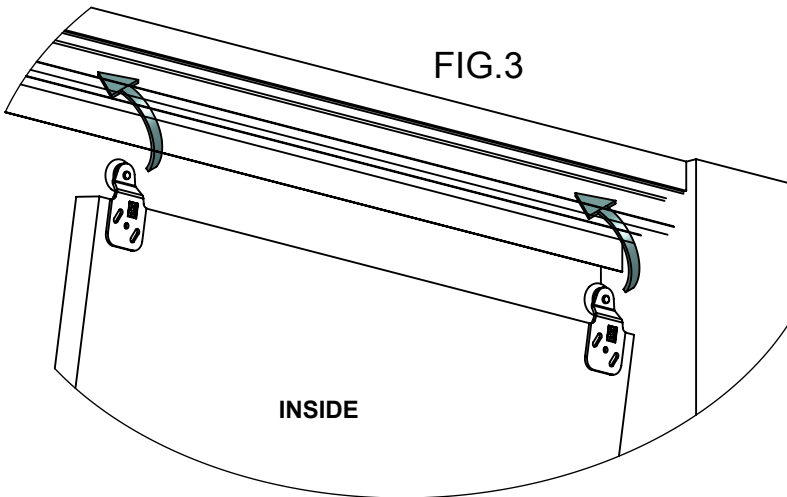


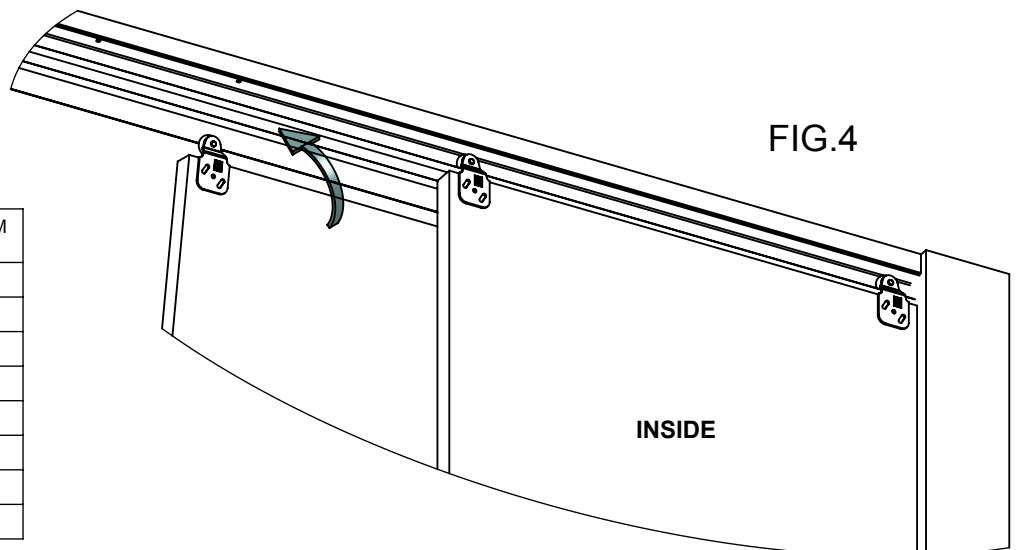
FIG.3



Holding the door at an angle hook the inside door onto the track . See fig.3. Avoid the use of force as hangers may be damaged and the smooth running action impaired.

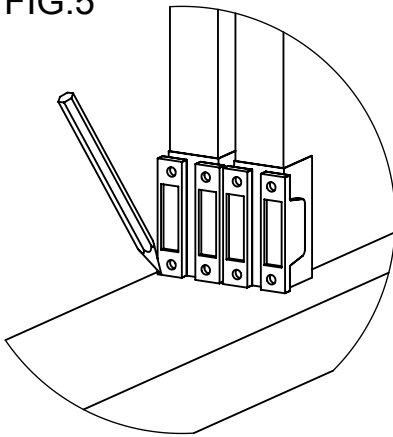
Hook the outer doors onto the track/tracks in the same way avoiding the use of force See fig.4

FIG.4



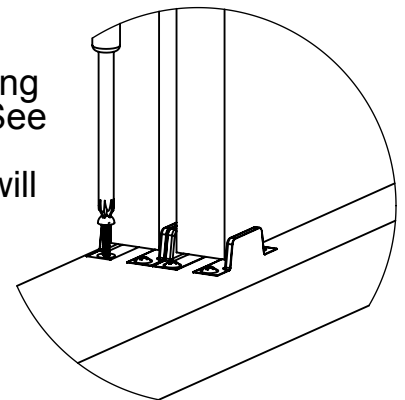
DOOR THICKNESS	DIM. 'A'	DIM 'B'	DIM 'C'	DIM 'D'
16	11	1	14	53
20	11	5	10	57
22	11	7	8	59
25	12	10	6	63
28	15	13	6	73
32	19	17	6	77
35	22	20	6	83
40	27	25	6	93

FIG.5



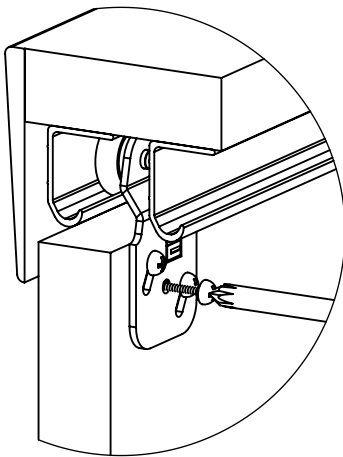
To obtain clearance for guiding, wrap thin cardboard (0.5 - 1.0mm thick) round the edge of each door in turn and mark position of guides when door hangs plumb. See fig.5

FIG.6



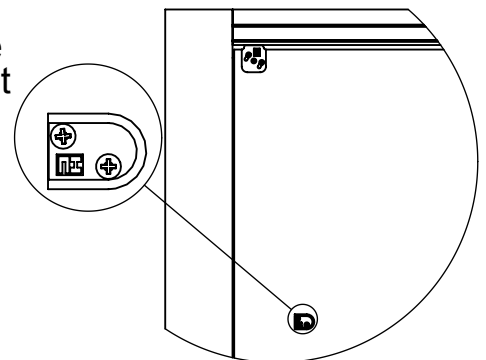
Screw guides down centrally in opening using No.6 x 16 (5/8") woodscrews. See fig.6.  
If guides are to be let in flush, doors will have to be removed first.

FIG.7



Ensure that door hangs plumb with frame, adjust by using slotted holes, then put in centre screw to prevent further movement. See fig.7

FIG.8

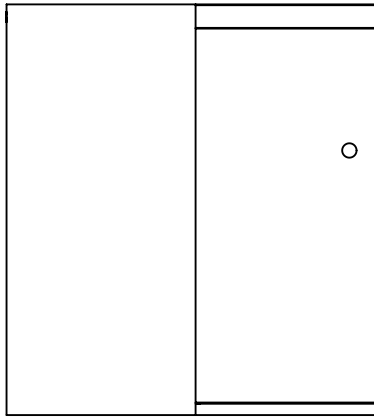


Screw door stop to inside of front door at mid-height with No.6 x 16(5/8") woodscrews. See fig.8.

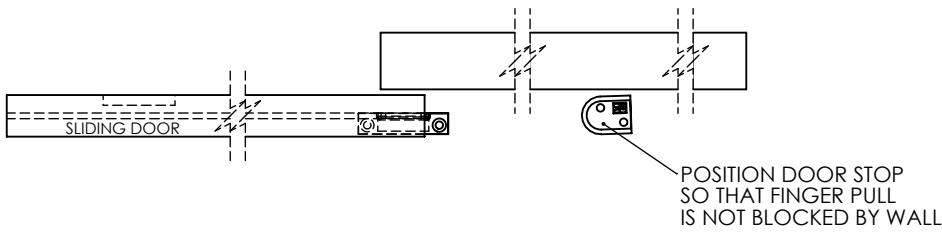
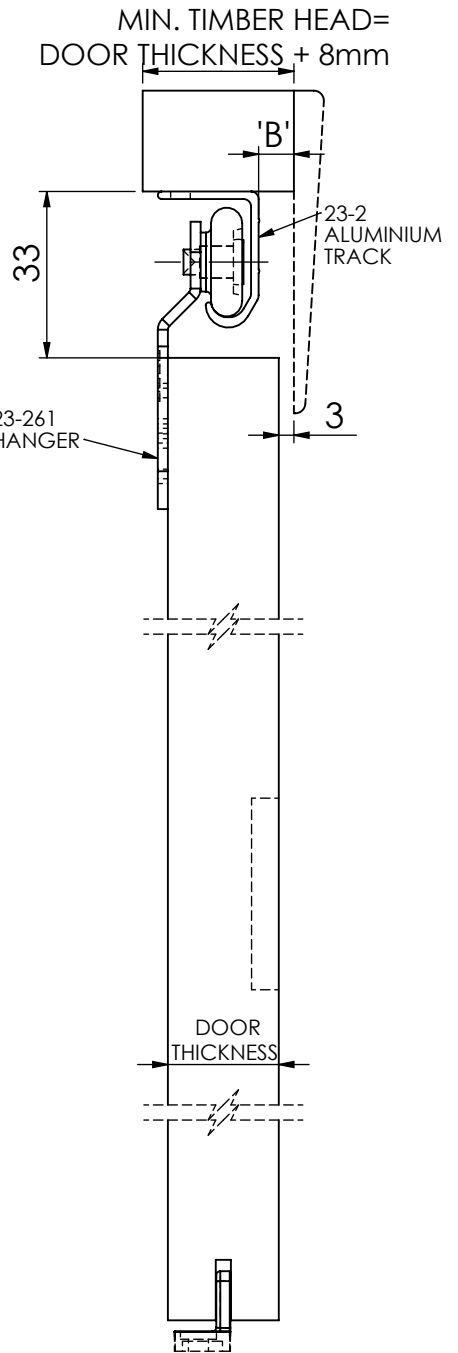
Flush pulls are fitted outside at two-thirds up.

Wipe inside of tracks with an oily rag from time to time to aid free movement.

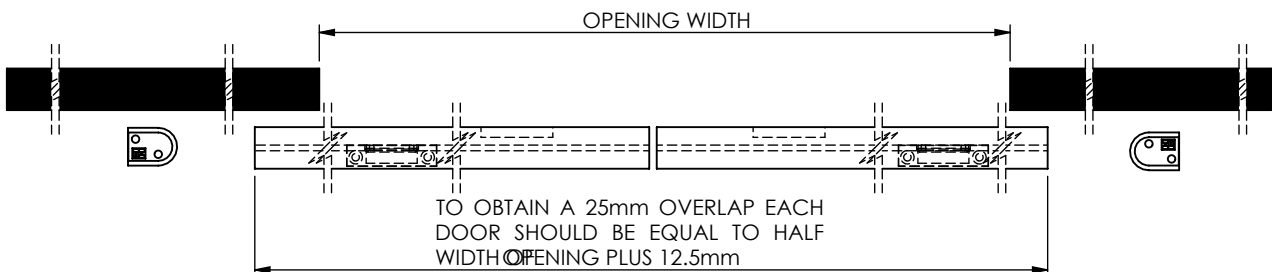
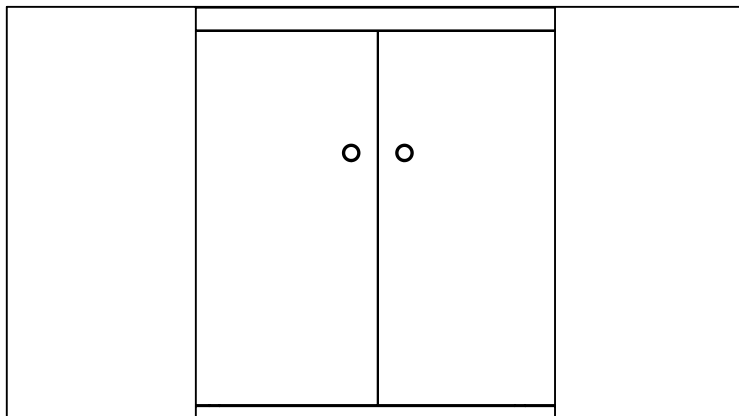
# SINGLE DOOR SETUP



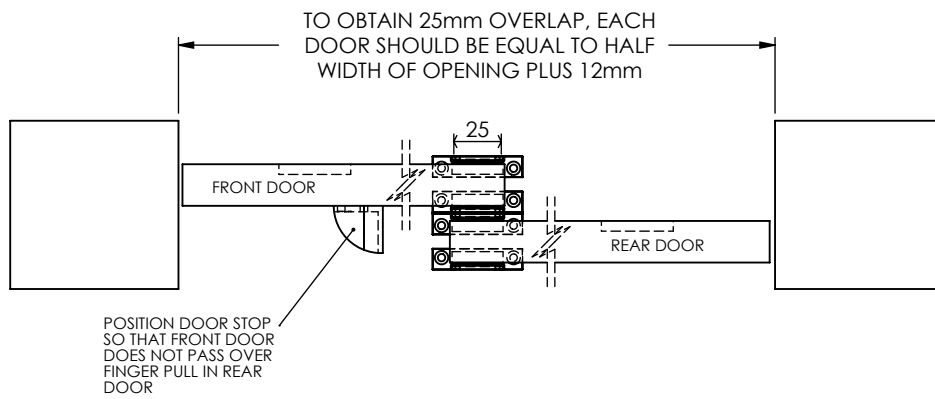
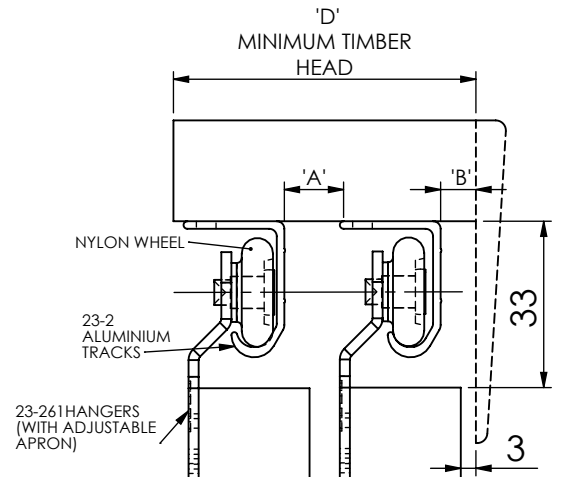
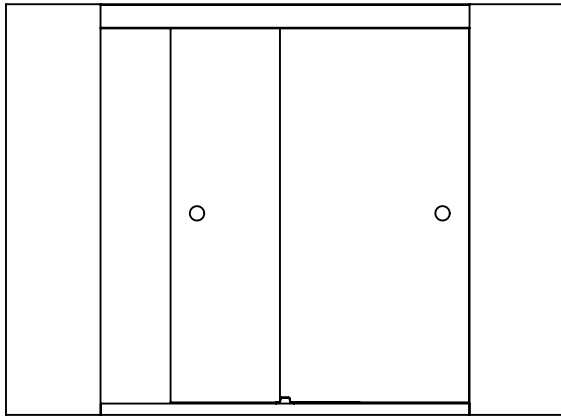
DOOR THICKNESS	DIM. 'A'	DIM. 'B'	DIM. 'C'	DIM. 'D'
16	11	1	14	53
20	11	5	10	57
22	11	7	8	59
25	12	10	6	63
28	15	13	6	73
32	19	17	6	77
35	22	20	6	83
40	27	25	6	93



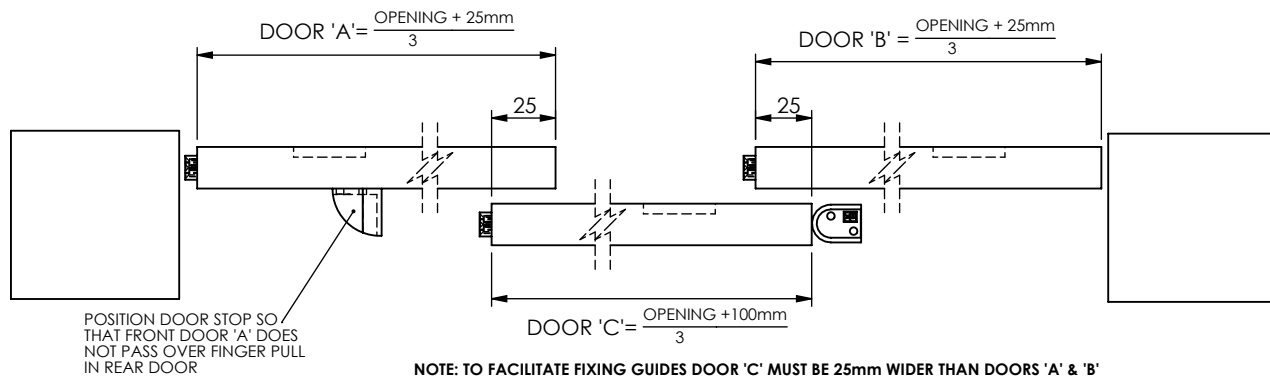
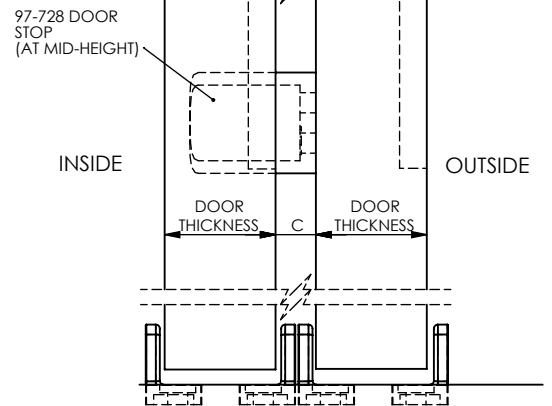
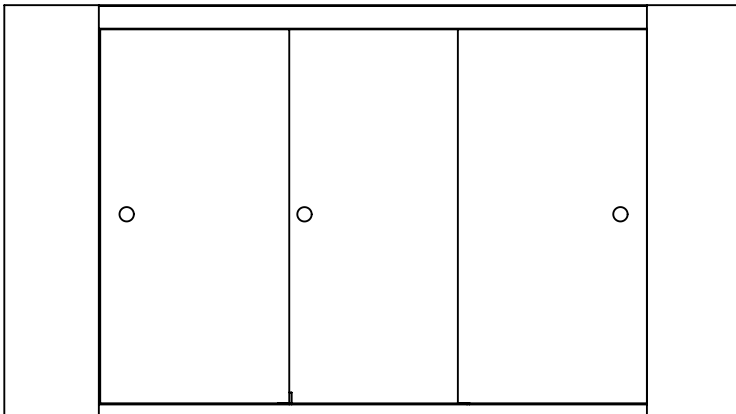
# TWO DOORS ON SINGLE TRACK



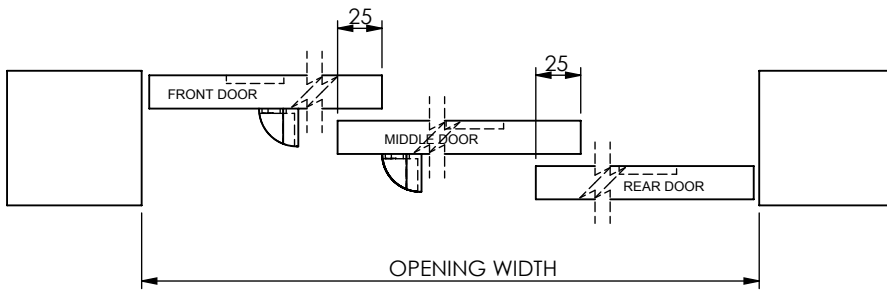
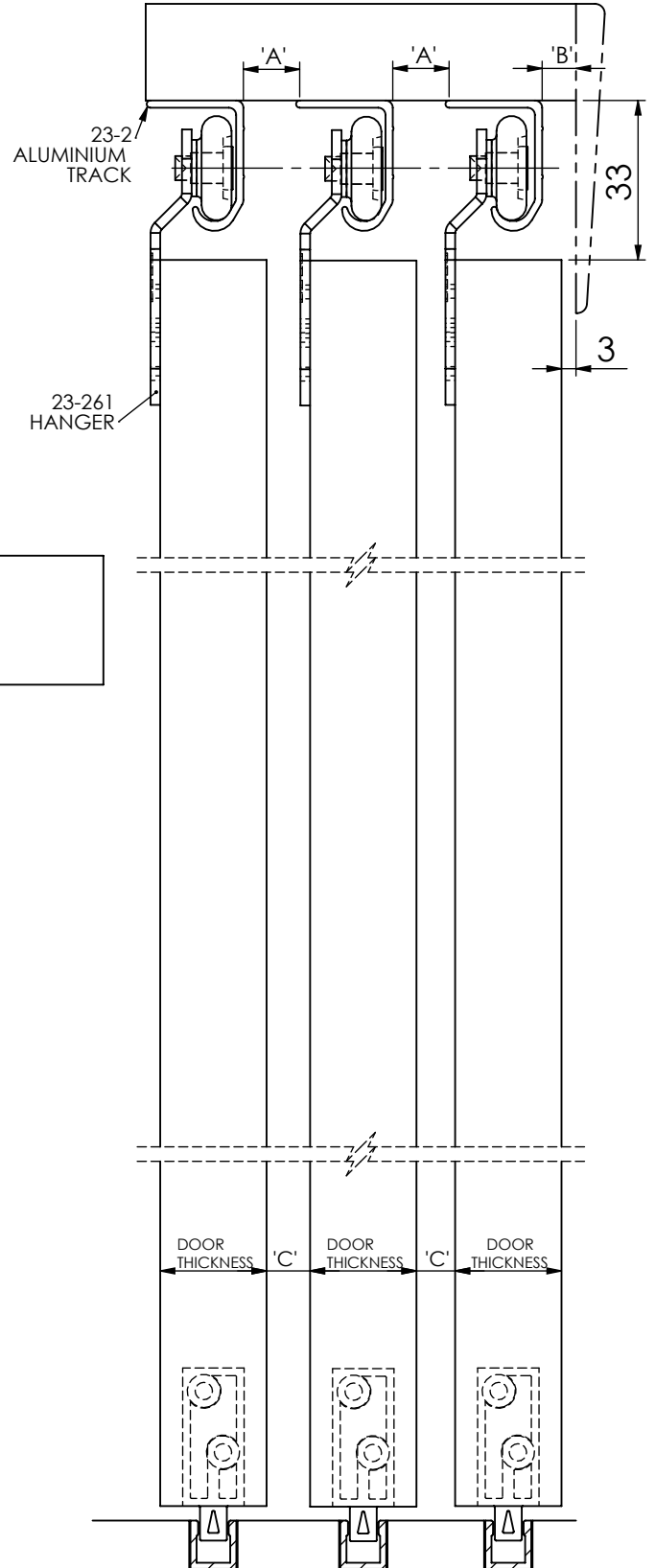
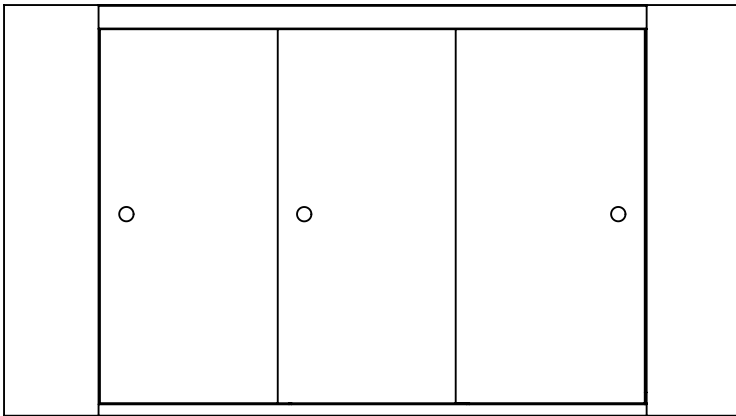
## TWO DOORS ON TWIN PARALLEL TRACKS



## THREE DOORS ON TWIN PARALLEL TRACKS

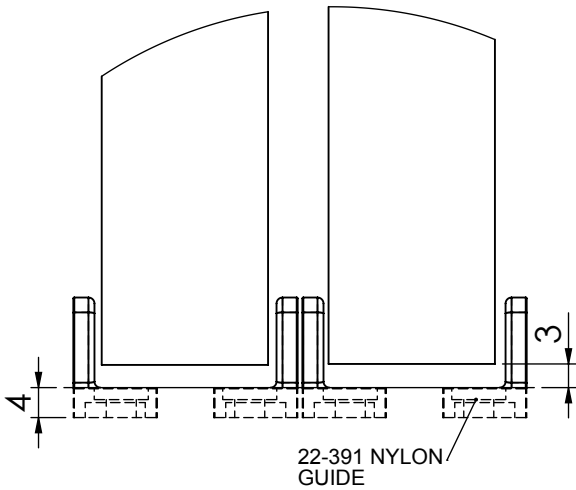


# THREE DOORS ON 3 PARALLEL TRACKS USING CHANNEL AND EDGE FIXING GUIDE

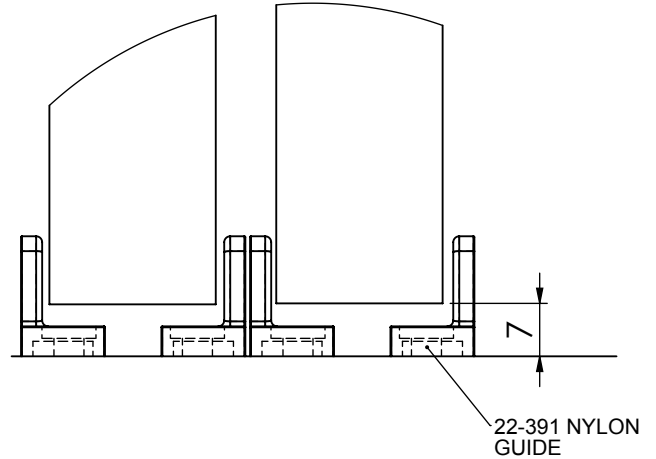


DOOR THICKNESS	DIM. 'A'	DIM. 'B'	DIM. 'C'	DIM. 'D'
16	11	1	14	53
20	11	5	10	57
22	11	7	8	59
25	12	10	6	63
28	15	13	6	73
32	19	17	6	77
35	22	20	6	83
40	27	25	6	93

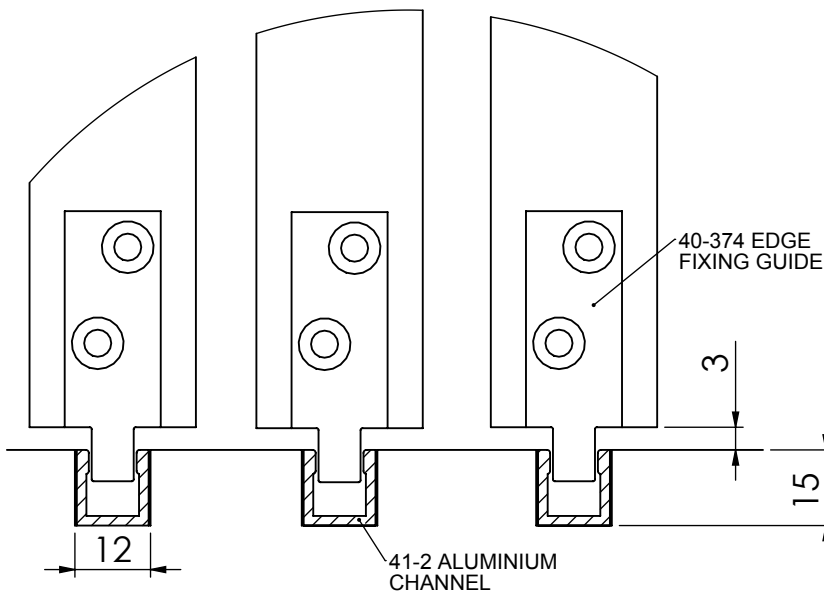
# GUIDES; ALTERNATIVE SETUP



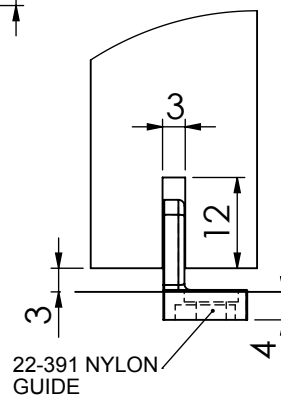
GUIDES REBATED INTO THE FLOOR



GUIDES SURFACE FIXED



ALTERNATIVE GUIDE USING ALUMINIUM CHANNEL  
(NOT STANDARD IN PACK)



GUIDE SETUP FOR GROOVED DOOR